

WIDE



OPTION TO CONNECT THE UNITS IN SERIES
TO AN EXTERNAL POWER SOURCE



VERTICAL TELESCOPIC MAST
MAX HEIGHT | 4.3 m
PNEUMATIC LIFTING SYSTEM



LED FLOODLIGHTS | 6X50 W
ILLUMINATED AREA | 1600 m²



TILTABLE FLOODLIGHTS
MAST ROTATION



OUTLET SOCKET | 16 A - 230 V
INLET PLUG | 16 A - 230 V



INDOOR AND OUTDOOR USE
EASY STORE & HANDLING
COMPACT DESIGN



GALVANIZED METAL BODY
80 µm POWDER COATING



3 TELESCOPIC
STABILIZERS



LED 600



GeM
Government
eMarketplace



<https://www.gem.gov.in>

LED 300



Available with portable
solar power generator 500 / 600W/h (12V 50Ah)



ASKA BASELITE LED 300/600

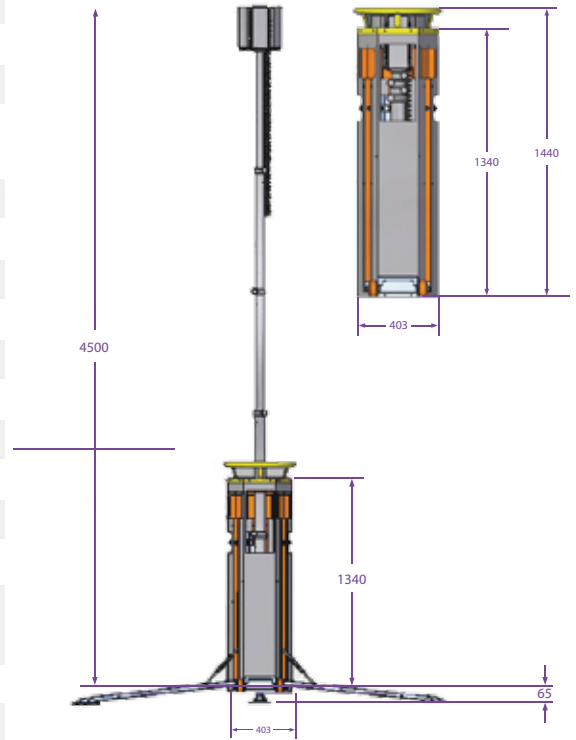
TECHNICAL DATA

Rough dimensions & weight

Dimensions min.	mm	403 X 403 X 1440
Dimensions max.	mm	2372 X 2058 X 4300/4400
Total weight	Kg	84/98

Features

Rotation		360°
Floodlight	W	6 X 50 W / 12 X 50 W
Lumen Output	LM	30,000 / 60,000
Lamps		LED
Inlet plug	A/V	16 - 230
Outlet socket	A/V	16 - 230
Wind stability	Km/h	90 / 65
IP level		65
Operating temperature	C°	-30° to +55°



NO FUEL COSTS



NO EMISSIONS



NO NOISE EMISSIONS



NO MAINTENANCE

Luxtower



MADE IN
ITALY

VS



Competitor

Raising up and down the mast by hands it's **not safe**

It's tiring and risky raising the mast by the force of the arms



EASY pneumatic air pump with air valve to release the mast

Luxtower

Strong 84 Kg - galvanized body

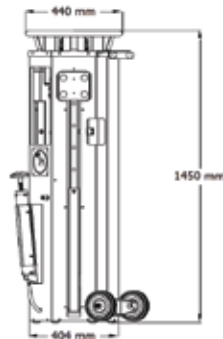
Inlet and outlet socket 230v/16A
Lamp Switch with protection

Big size wheels

MADE IN ITALY



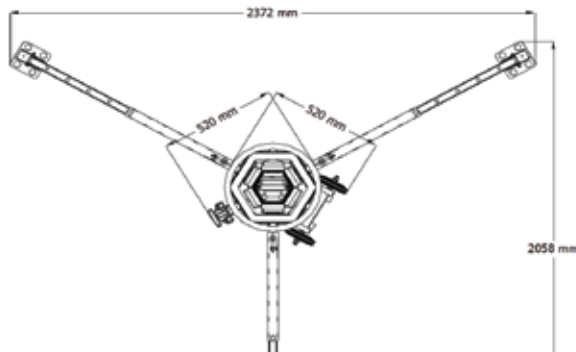
Well Covered and Protected



Luxtower

Wind stability **110 km/h**

Perfect for events and for construction site also



Mast FIRECO .World leadership in the production of high quality aluminum telescopic masts.

MADE IN ITALY

Mast with opening rotation



ADJUSTABLE STABILIZERS TO TO REDUCE OVERALL DIMENSIONS



BEFORE

AFTER



MADE IN ITALY



stabilizers extension

**STABILIZER'S DIMENSIONS:
FROM 116 to 73 cm**



Luxtower

Rubber pads to avoid damaging body and floors

MADE IN ITALY



360° Multi Directional LED floodlights
36.000 lumen – 1600 mq illuminated area

MADE IN ITALY



Structured for cooling down the LED lamp and take off the heat inside

aska[®]
Aska Equipments Ltd.

R-482, New Rajendra Nagar, Ganga Ram Hospital Square,
Shankar Road, New Delhi - 110060

Tel. : +91-11-49458800 (30 lines) Fax:
+91-11-49458844

Email: info@askagroup.com website:
www.askagroup.com

Sales & Service Centers

DELHI - MUMBAI - HYDERABAD - LUCKNOW - AHMEDABAD - NAGPUR - KOLKATA -
CHENNAI - BANGALORE - GUWAHATI - THIRUVANANTHAPURAM (KULANADA)

Customer Support

customercare@askagroup.com